

## CONTINUOUS RUN INSTRUCTIONS FOR THE LOMBARDY SERIES FIXTURE

APPLICATION: General/Perimeter Lighting



**STOP! - READ THIS FIRST! - IMPORTANT SAFETY INSTRUCTIONS !**

<ul style="list-style-type: none"> <li>Carefully read the instructions pertaining to your fixture. IF YOU HAVE ANY QUESTIONS REGARDING THE PROPER INSTALLATION OR LOCAL CODES, CONSULT A QUALIFIED ELECTRICIAN.</li> </ul>	<ul style="list-style-type: none"> <li>Injury to persons and damage to the fixture and/or mounting surface may occur if the fixture is pulled from the surface. To reduce risk of injury or damage, mount only to a mechanically sound surface.</li> </ul>
<ul style="list-style-type: none"> <li>Both cord set and hard wired fixtures are intended for connection to a grounded, three-wire source of supply.</li> </ul>	<ul style="list-style-type: none"> <li>Both cord set and hard wired fixtures are intended for connection to a grounded, three-wire source of supply.</li> </ul>
<ul style="list-style-type: none"> <li>Do not install outdoors or in applications other than intended use.</li> </ul>	<ul style="list-style-type: none"> <li>Do not install outdoors or in applications other than intended use.</li> </ul>
<ul style="list-style-type: none"> <li>This fixture is intended for pendant mounting only.</li> </ul>	<ul style="list-style-type: none"> <li>This fixture is intended for pendant mounting only.</li> </ul>



**WARNING:** THIS PRODUCT MUST BE INSTALLED IN ACCORDANCE WITH THE APPLICABLE INSTALLATION CODE BY A PERSON FAMILIAR WITH THE CONSTRUCTIONS AND OPERATIONS OF THE PRODUCT AND THE HAZARDS INVOLVED.



**WARNING:** RISK OF FIRE; MINIMUM OF 90°C SUPPLY CONDUCTOR SHOULD BE USED. CONSULT A QUALIFIED ELECTRICIAN TO ENSURE CORRECT BRANCH CIRCUIT CONDUCTOR.



**WARNING:** TO AVOID ELECTRIC SHOCK HAZARD, DISCONNECT THE POWER AT THE PANEL BOARD (CIRCUIT BREAKER BOX) BEFORE BEGINNING INSTALLATION.

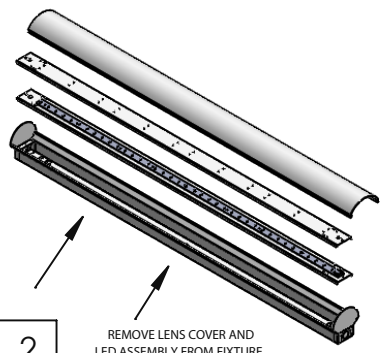


**WARNING:** TO AVOID FIRE HAZARD RISK, WHEN INSTALLING HARD WIRED UNITS, BE AWARE IF SUPPLY WIRES ARE LOCATED WITHIN THREE INCHES OF BALLAST. IF SO, USE WIRE RATED FOR AT LEAST 90°C (194°F). IF UNSURE, CONSULT A QUALIFIED ELECTRICIAN BEFORE INSTALLING.



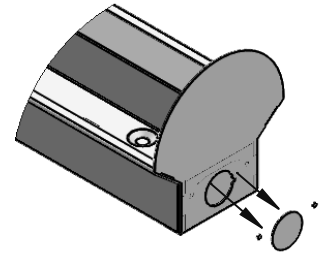
1

REMINDER: MAKE SURE POWER IS DISCONNECTED BEFORE PROCEEDING.



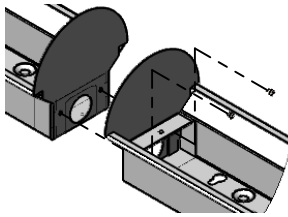
2

REMOVE LENS COVER AND LED ASSEMBLY FROM FIXTURE.



3

REMOVE .098" AND .875" KNOCKOUTS



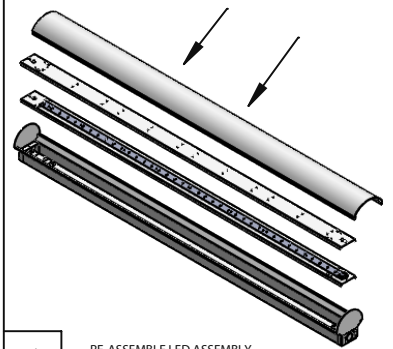
4

JOIN FIXTURES AND BOLT TOGETHER THRU .098" HOLES.



5

BRING PIG TAIL THRU .875" HOLE AND CONNECT.



6

RE-ASSEMBLE LED ASSEMBLY AND REPLACE LENS COVER.